

# ECO SF80

## Door Access Wiring Diagram



### LOCK

NC	Green
COM	Brown
NO	Blue
SEN	White
GND	Black
BUT	Gray

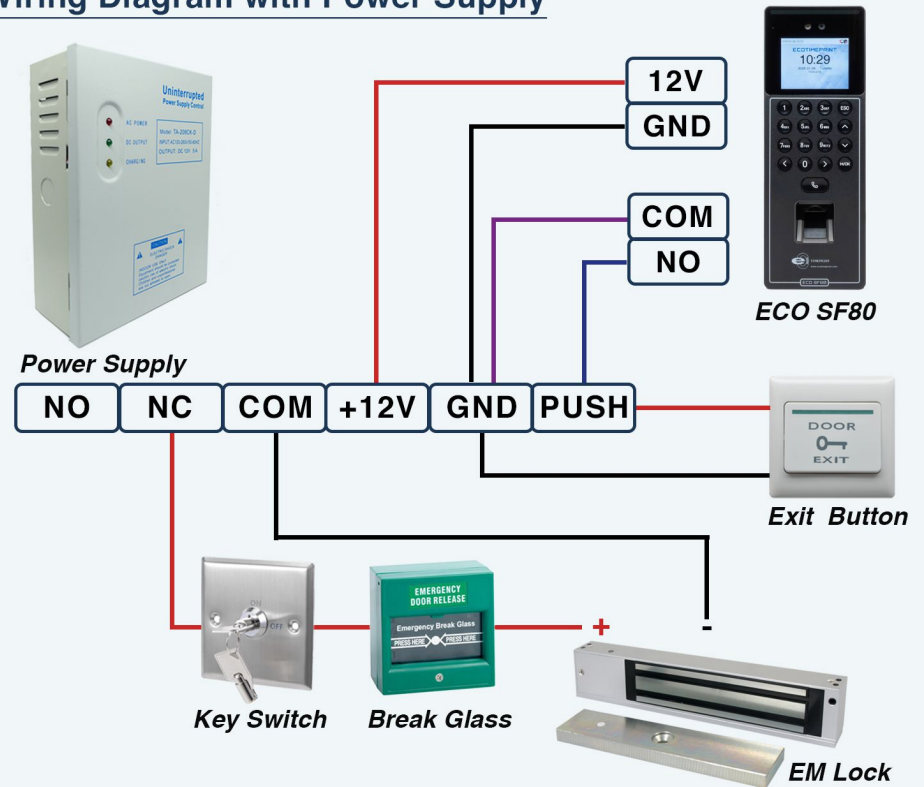
### TCP/IP

RX-	Black
RX+	Red
TX-	Green
TX+	Yellow

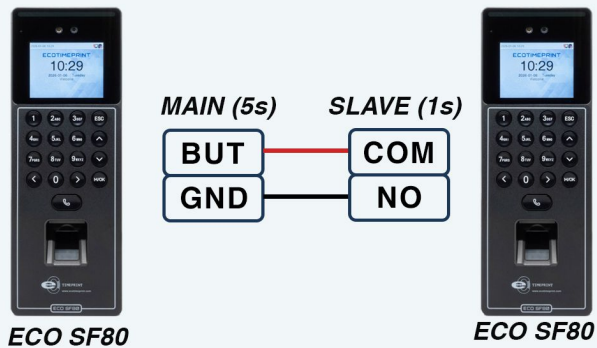
### POWER

GND	Black
12VIN	Red

## Wiring Diagram with Power Supply



## Two Unit of ECO SF80 Connection



Change the lock delay setting in  
Menu > Door Access > Door Lock Delay

## Wiring Diagram with ECO SF80

